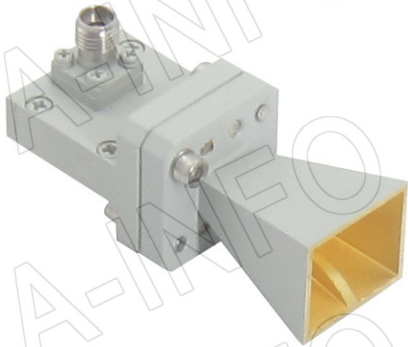


For reference only. See data sheet for the detailed specifications.

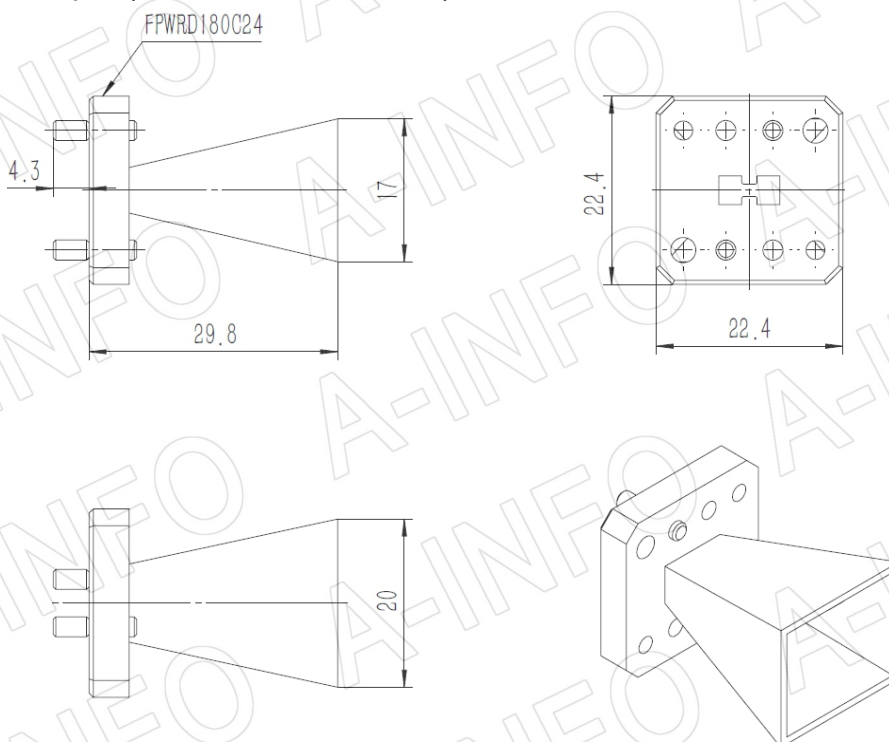
Technical Specification



Frequency Range(GHz)	18.0 – 40.0
Gain(dBi)	10 Typ.
Polarization	Linear
3dB Beamwidth(deg)	E Plane: 54 - 27
	H Plane: 52 - 28
Cross Pol. Isolation(dB)	40 Typ.
VSWR	1.5:1 Typ.
Output	A Type: FPWRD180C24 2.92mm-Female
	C Type: or 2.4mm-Female or 2.92mm-Male
Power Handling(W CW)	2.92mm-Female: 20 Max.
	2.4mm-Female: 10 Max.
	2.92mm-Male: 20 Max.
Material	Cu
Finish	Gold Plated, Gary Paint
Size(mm)	A Type: 22.4 x 22.4 x 29.8
	C Type: 22.4 x 26.3 x 55.8
Net Weight(Kg)	A Type: 0.02 Around
	C Type: 0.06 Around

Outline Drawing (Size: mm)

FPWRD180C24 Output (P/N: LB-180400-10-A)



AINFO Inc.

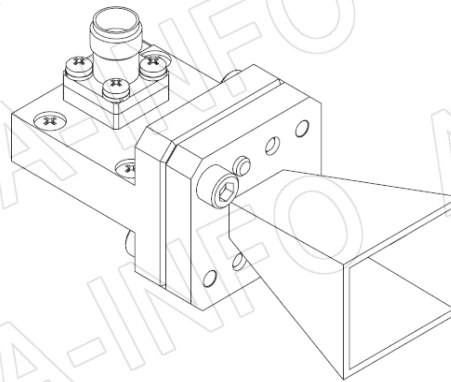
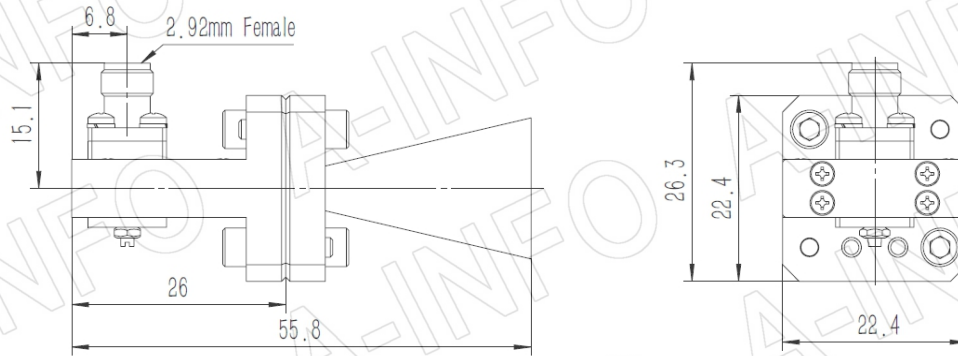
China(Beijing): Tel: (+86) 10-6266-7326,
China(Chengdu): Tel: (+86) 28-8519-2786,
USA : Tel: (+1) 949-639-9688,

(+86) 10-6266-7327 Fax: (+86) 10-6266-7379
(+86) 28-8519-3044 Fax: (+86) 28-8519-3068
(+1) 949-639-9608 Fax: (+1) 949-639-9670

Website: www.ainfoinc.com
Email: sales@ainfoinc.com

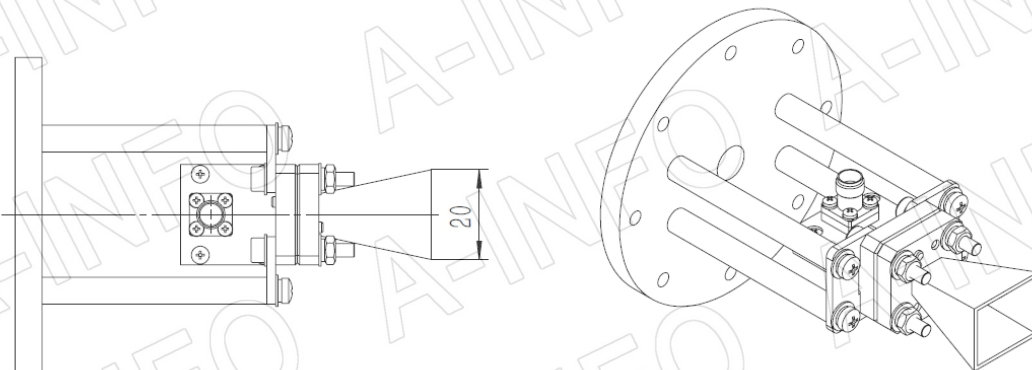
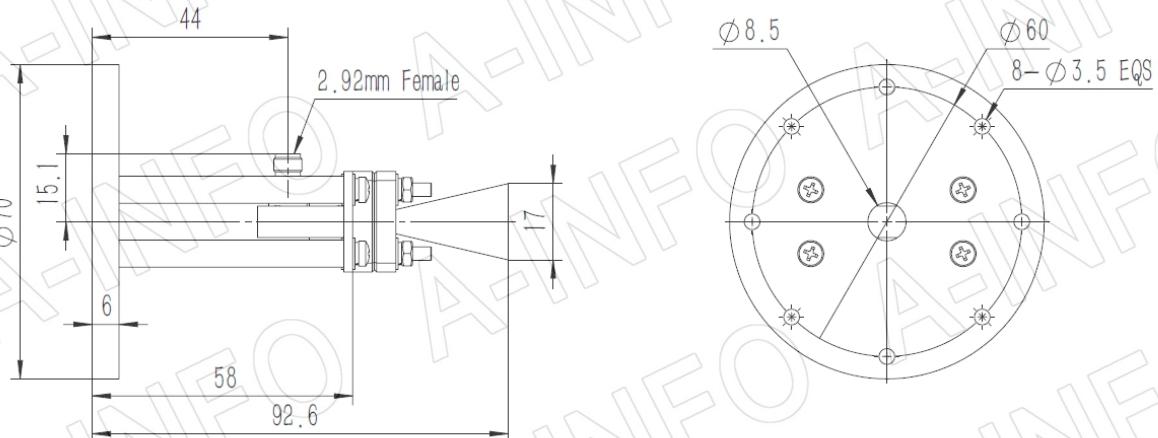
2.92mm-Female Output (P/N: LB-180400-10-C-KF)

For 2.4mm-Female or 2.92mm-Male output outline drawing, please contact A-INFO.



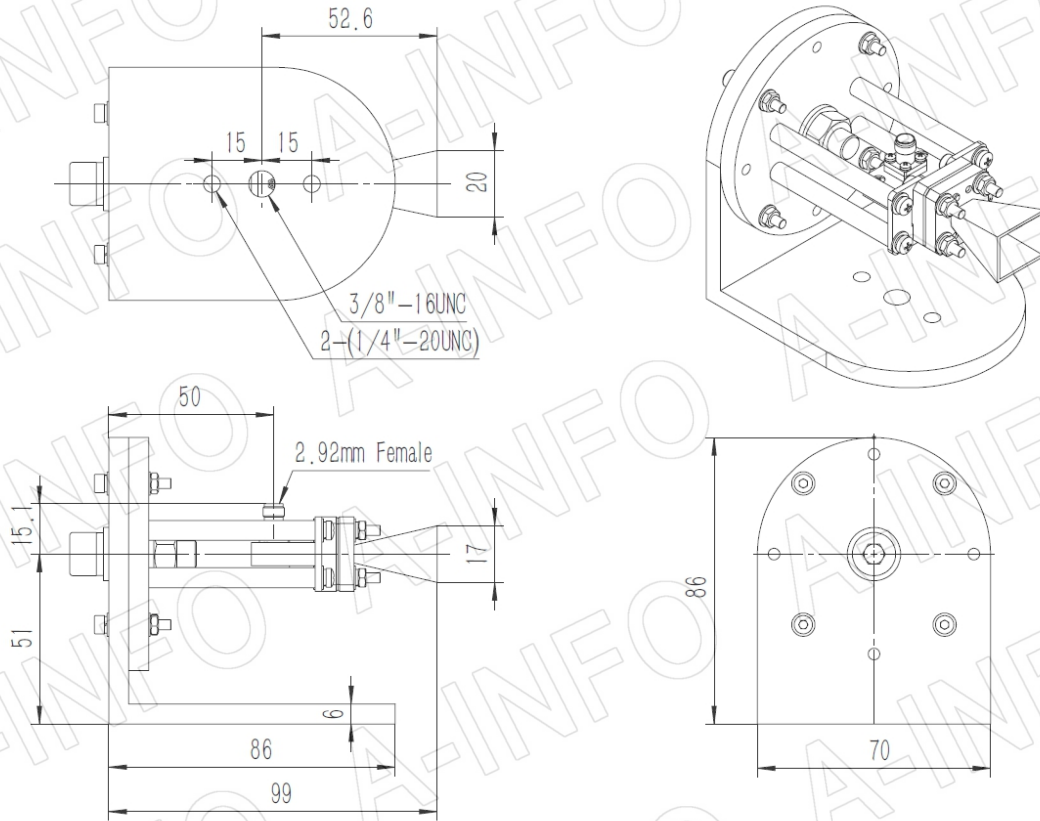
2.92mm-Female Output with Round Mounting Bracket (Option, P/N: LB-180400-10-C-MB)

For 2.4mm-Female or 2.92mm-Male output outline drawing, please contact A-INFO.

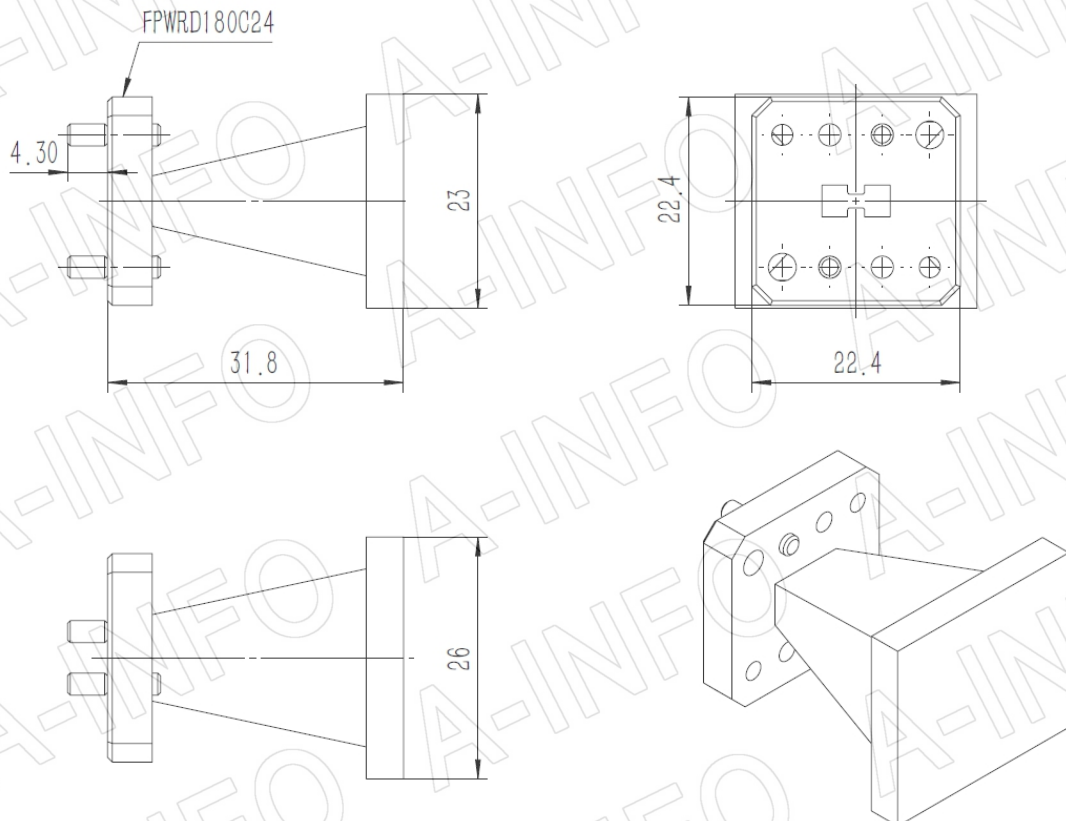


2.92mm-Female Output with L Type Mounting Bracket (Option, P/N: LB-180400-10-C-MBL)

For 2.4mm-Female or 2.92mm-Male output outline drawing, please contact A-INFO.

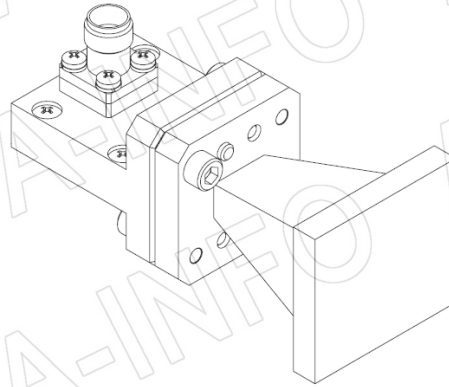
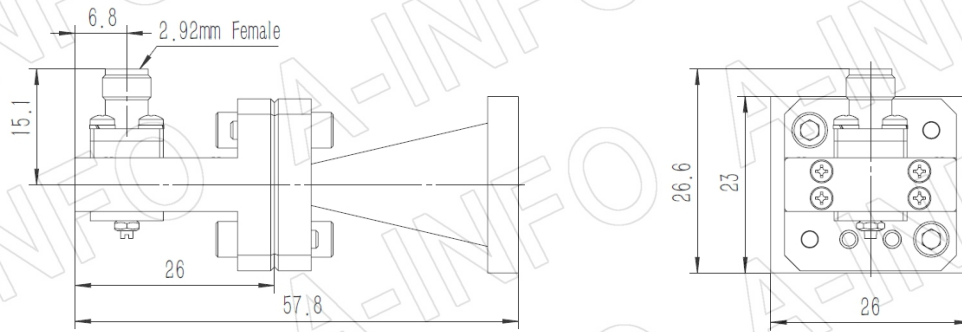


FPWRD180C24 Output with Radome (Option, P/N: LB-180400-10-ASPO, Outdoor Application)



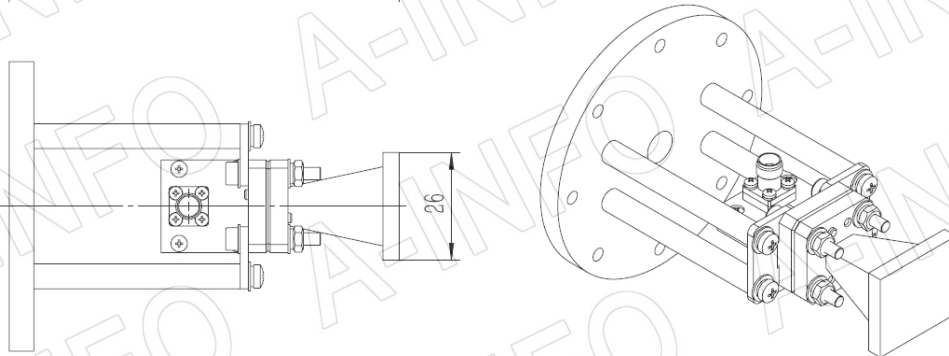
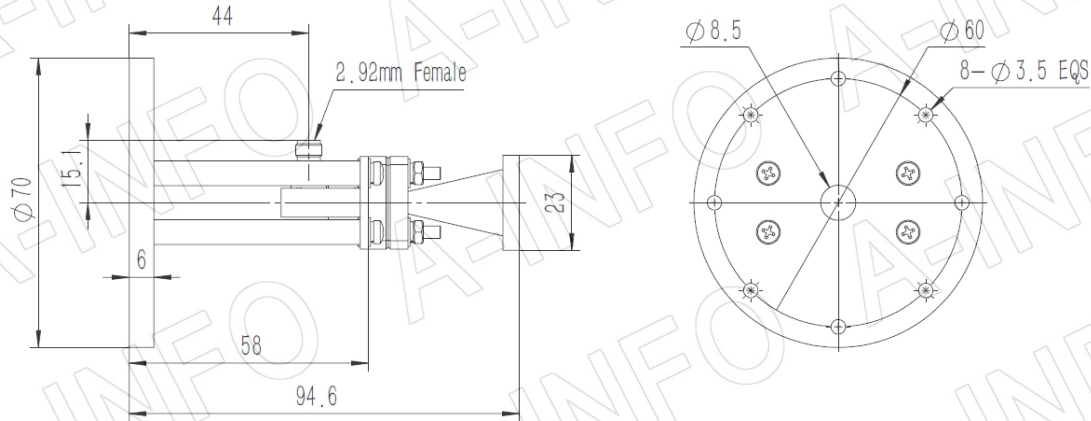
2.92mm-Female Output with Radome (Option, P/N: LB-180400-10-C-KFSP0, Outdoor Application)

For 2.4mm-Female or 2.92mm-Male output outline drawing, please contact A-INFO.



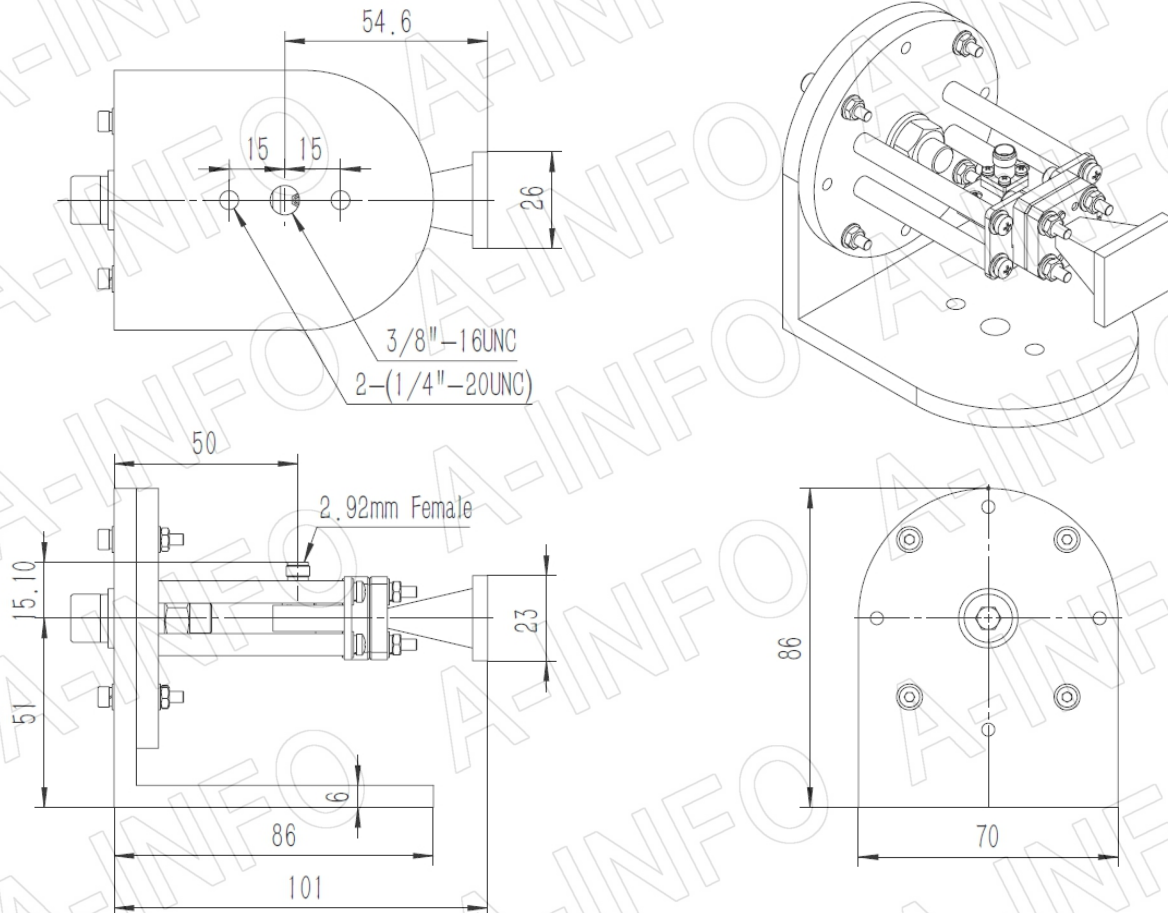
2.92mm-Female Output with Round Mounting Bracket & Radome (Option, P/N: LB-180400-10-C-MB & LB-180400-10-C-KFSP0, Outdoor Application)

For 2.4mm-Female or 2.92mm-Male output outline drawing, please contact A-INFO.



2.92mm-Female Output with L Type Mounting Bracket & Radome (Option, P/N: LB-180400-10-C-MBL & LB-180400-10-C-KFSPO, Outdoor Application)

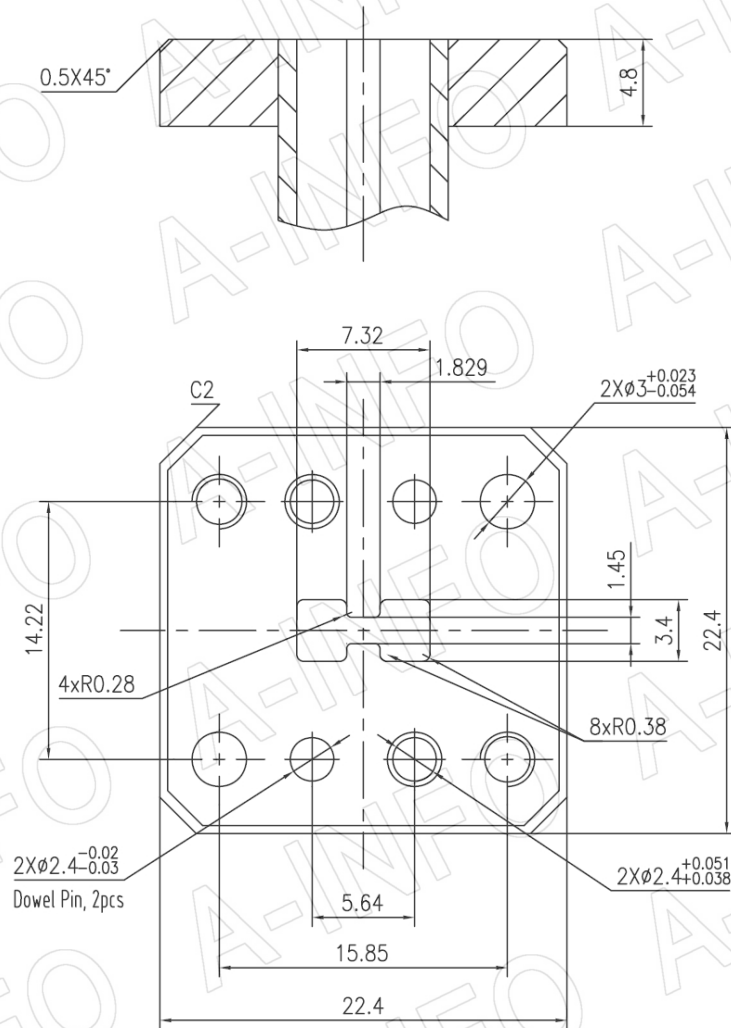
For 2.4mm-Female or 2.92mm-Male output outline drawing, please contact A-INFO.



Flange Drawing (Size: mm)

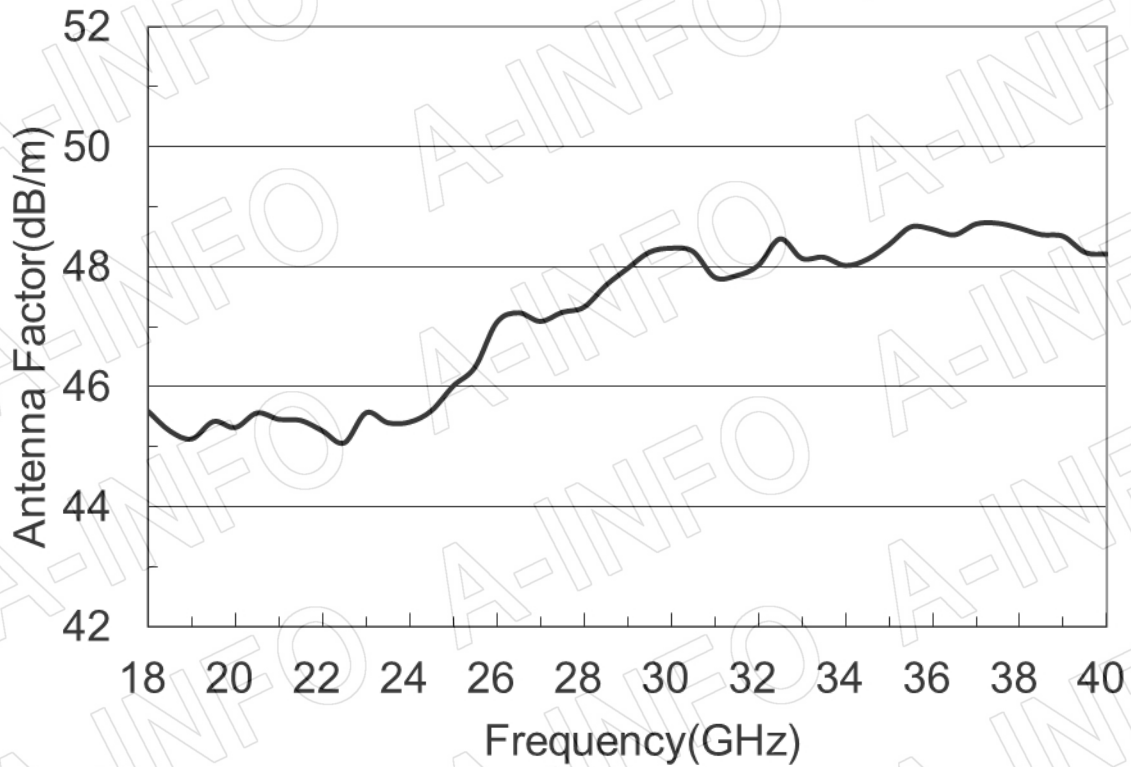
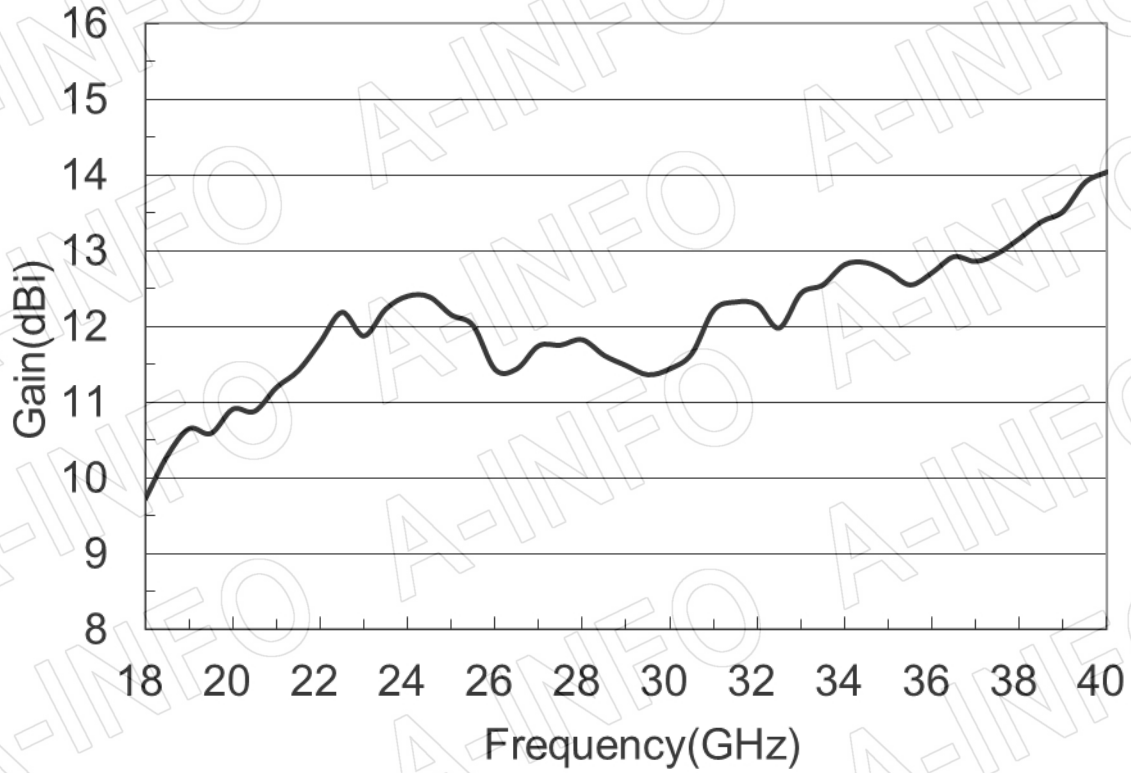
FPWRD180C24

(With two through mounting holes
and two screws holes)

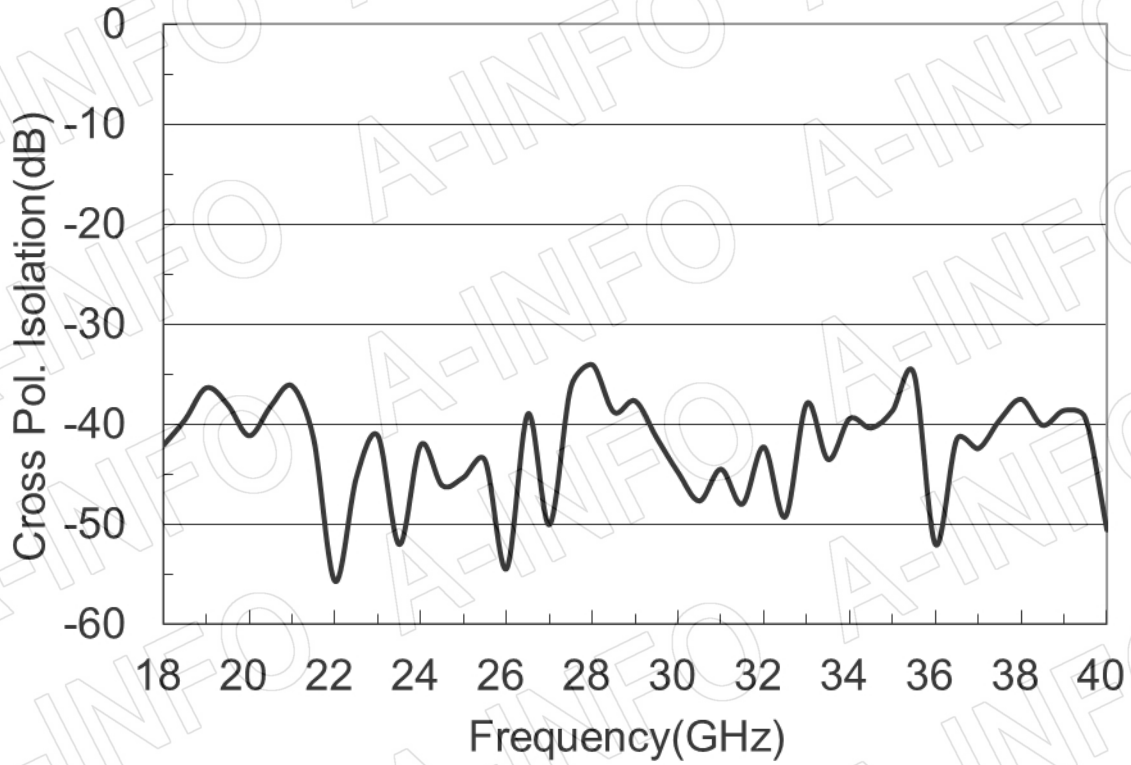


Test Results

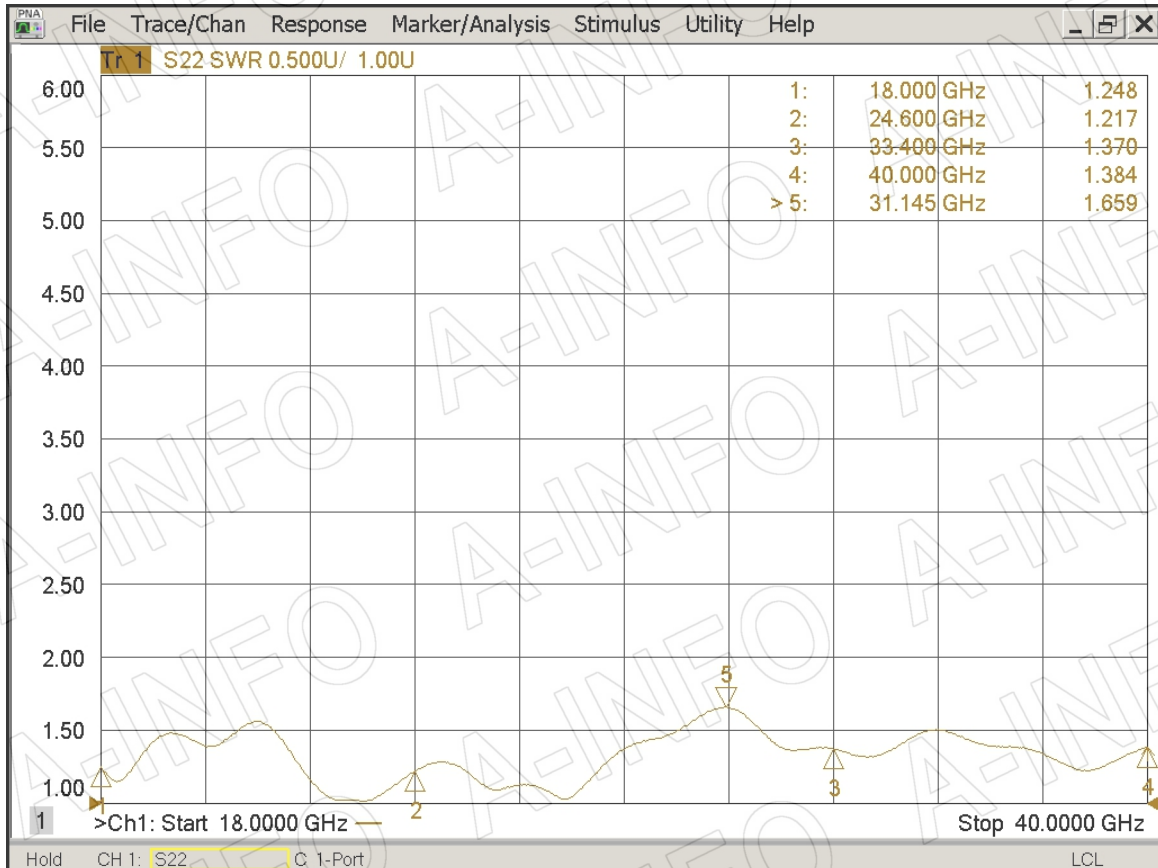
1. Gain & Antenna Factor



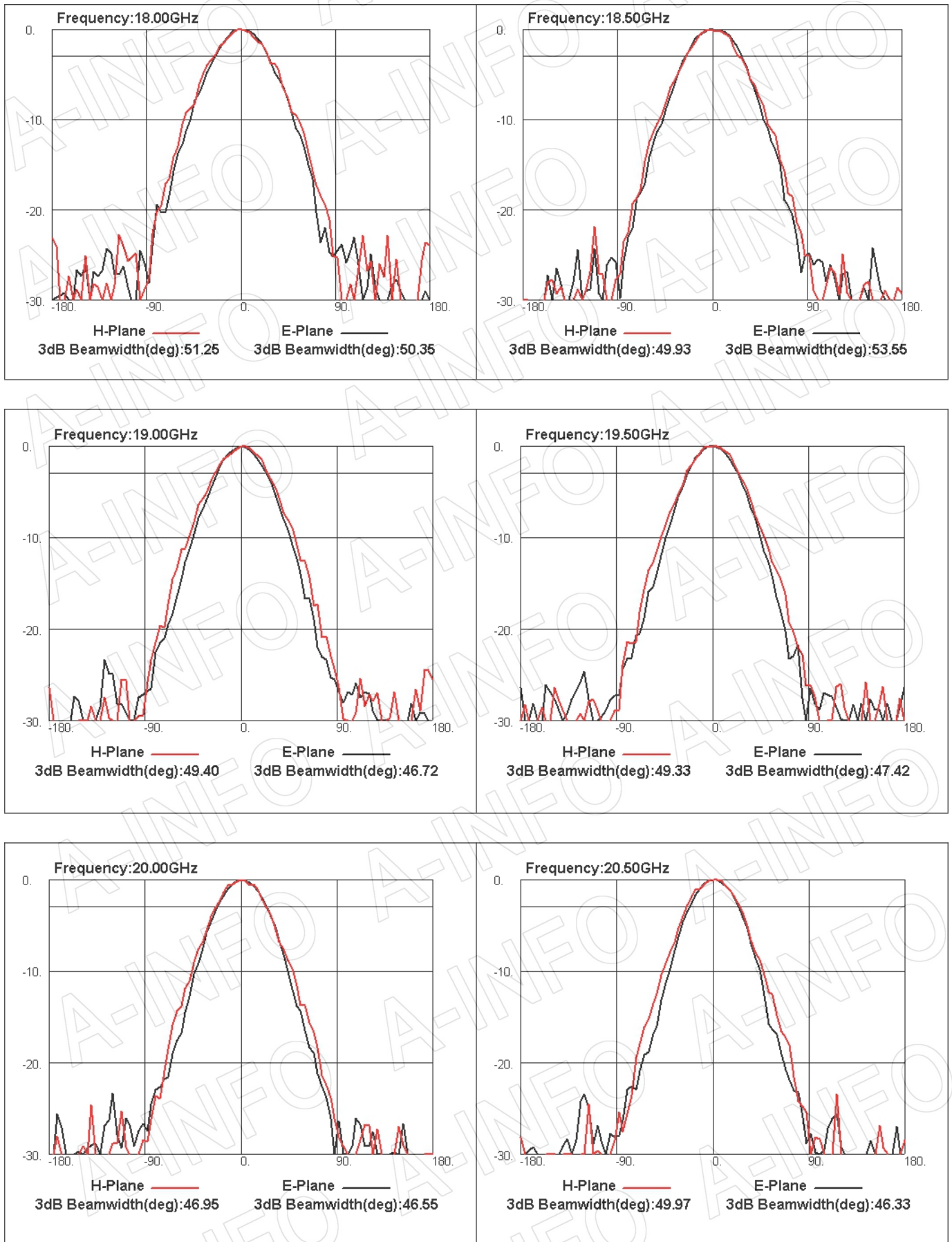
2. Cross Polarization Isolation



3. VSWR



4. Pattern



AINFO Inc.

China(Beijing): Tel: (+86) 10-6266-7326,
China(Chengdu): Tel: (+86) 28-8519-2786,
USA : Tel: (+1) 949-639-9688,

Page 9 of 16

(+86) 10-6266-7327
(+86) 28-8519-3044
(+1) 949-639-9608

Fax: (+86) 10-6266-7379
Fax: (+86) 28-8519-3068
Fax: (+1) 949-639-9670

Website: www.ainfoinc.com
Email: sales@ainfoinc.com

